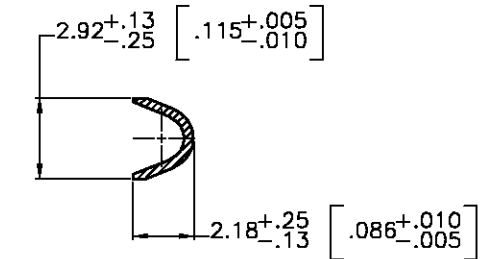
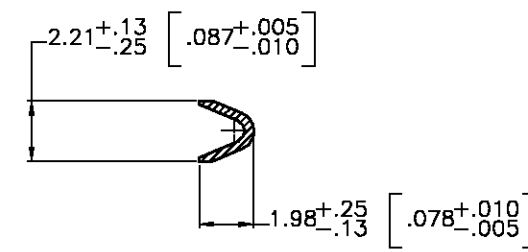
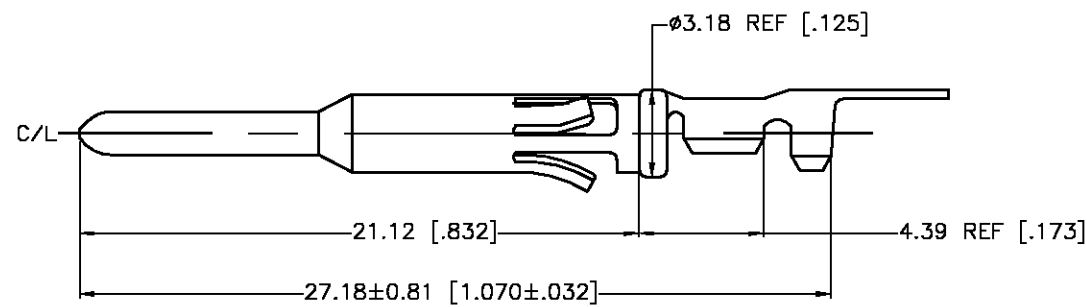
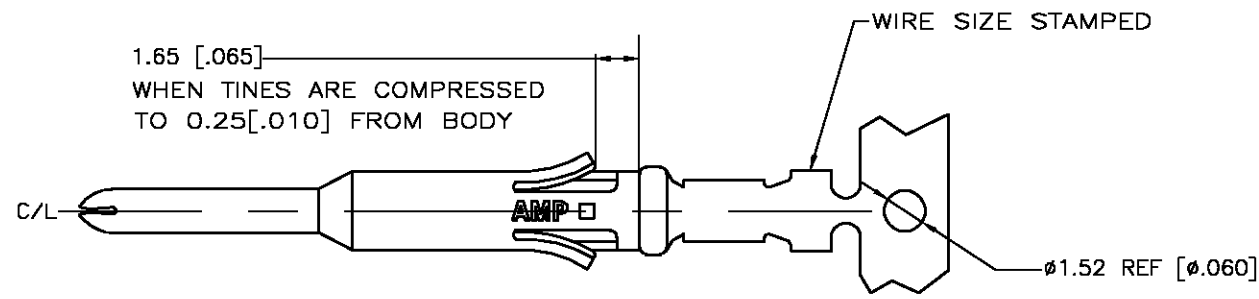


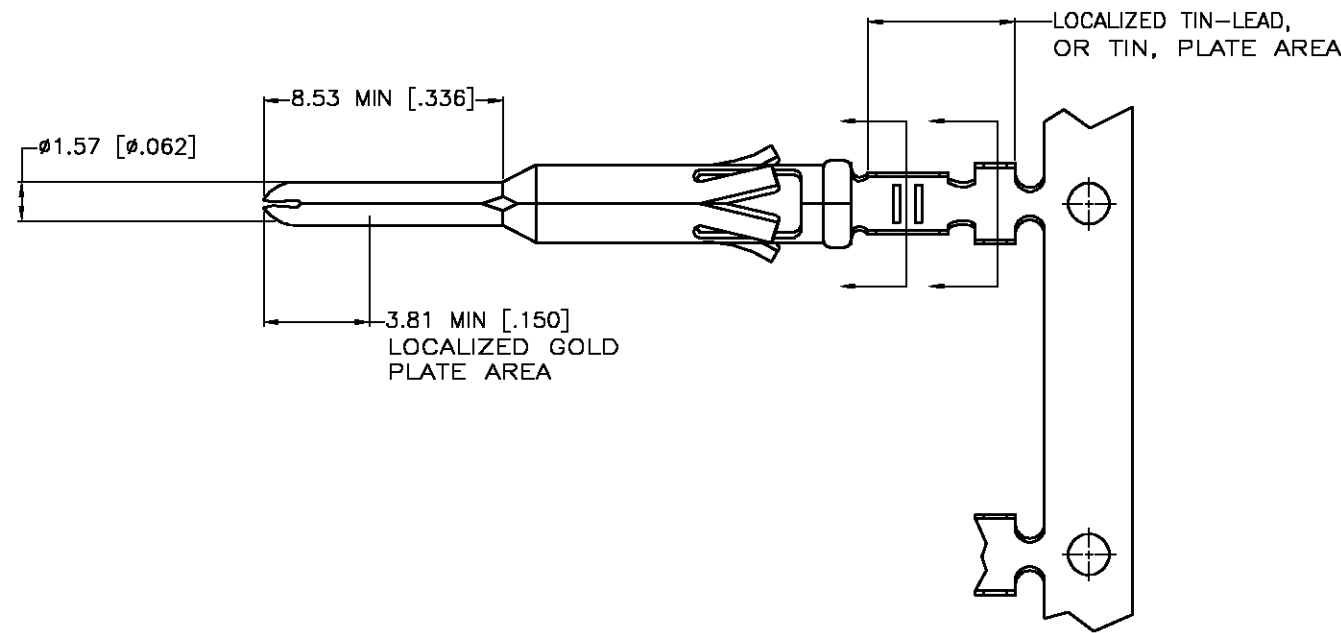
THIS DRAWING IS UNPUBLISHED. RELEASED FOR PUBLICATION
 © COPYRIGHT BY TYCO ELECTRONICS CORPORATION. ALL RIGHTS RESERVED.

LOC	DIST	REVISIONS			
P	LTR	DESCRIPTION	DATE	DWN	APVD
FT	0	G	REV PER EC 0G3B-0963-03	12/11/03	SS GS



SECTION B-B

SECTION A-A



REVERSE REELED FOR MINI-APPLICATOR		1-66583-0
REVERSE REELED FOR MINI-APPLICATOR		66583-4
REVERSE REELED FOR MINI-APPLICATOR		66583-3
REVERSE REELED FOR MINI-APPLICATOR		66583-2
REVERSE REELED FOR MINI-APPLICATOR		66583-1
DESCRIPTION	FINISH	

- WIRE RANGE 24-20 AWG.
- INSULATION RANGE 1.02-2.03 [.040-.080] DIA.
- FOR LOOSE PIECE PART SEE DWG 66593.
- 0.76 μm [.000030] MIN GOLD IN LOCALIZED GOLD PLATE AREA, 1.27 μm [.000050] MIN TIN-LEAD IN LOCALIZED TIN-LEAD PLATE AREA, BOTH OVER 1.27 μm [.000050] MIN NICKEL.
- TIN PLATED.
- GOLD PLATING PER MIL-G-45204, TIN PER MIL-T-10727 AND NICKEL PER QQ-N-290.
- 0.76 μm [.000030] MIN GOLD IN LOCALIZED GOLD PLATE AREA, 1.27 μm [.000050] MIN TIN IN LOCALIZED TIN PLATE AREA, BOTH OVER 1.27 μm [.000050] MIN NICKEL.

THIS DRAWING IS A CONTROLLED DOCUMENT.		DWN V. FURLER 16MAY2003	Tyco Electronics Corporation Harrisburg, PA 17105													
DIMENSIONS: MM [INCHES]		CHK G. STEINHAUER 16MAY03	Tyco Electronics													
TOLERANCES UNLESS OTHERWISE SPECIFIED:		APVD G. STEINHAUER 16MAY03	NAME CONTACT, PIN, STRIP, TYPE VI, MULTIMATE													
<table border="0"> <tr><td>0 PLC</td><td>± -</td></tr> <tr><td>1 PLC</td><td>± -</td></tr> <tr><td>2 PLC</td><td>± 0.13 [.005]</td></tr> <tr><td>3 PLC</td><td>± -</td></tr> <tr><td>4 PLC</td><td>± -</td></tr> <tr><td>ANGLES</td><td>± -</td></tr> </table>		0 PLC	± -	1 PLC	± -	2 PLC	± 0.13 [.005]	3 PLC	± -	4 PLC	± -	ANGLES	± -	PRODUCT SPEC	SIZE CAGE CODE DRAWING NO RESTRICTED TO	
0 PLC	± -															
1 PLC	± -															
2 PLC	± 0.13 [.005]															
3 PLC	± -															
4 PLC	± -															
ANGLES	± -															
MATERIAL BRASS MIL-C-50		APPLICATION SPEC	A3 00779 C-66583													
FINISH SEE TABLE		WEIGHT -	CUSTOMER DRAWING SCALE NTS SHEET 1 OF 1 REV G													